

mini FLOWATCH® 2

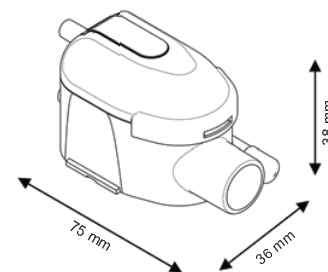
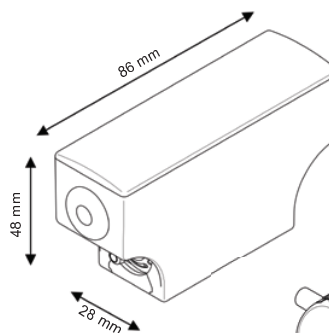
SICCOM

Mini solenoid pump reliable and silent for the condensate removal of air conditioners up to 10kW / 36000BTU.

Ref: DE05LC4400



PREMIUM

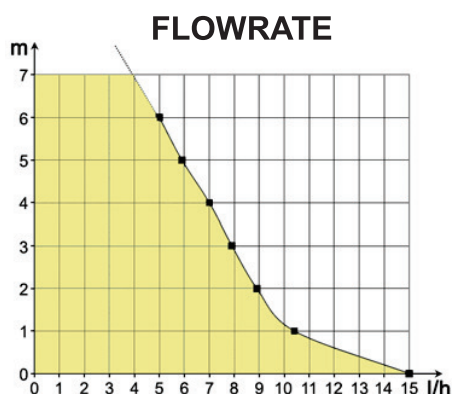


Hose diameter
Suction : 5/7 mm - supplied
Discharge : 6/9 mm - not supplied

SPECIFICATIONS

Flowrate max	15 l/h
Suction head max	2 m
Discharge head max	10 m
Electrical power	19W
Voltage	220-240V 50/60Hz
Alarm	NO-NC
Noise level	
Protection rating	IP64
Thermal protection	Yes
Operating cycle*	100%
Power / alarm cable	1.6 m
Dimensions	86 x 28 x 48 mm / 75 x 38 x 36 mm
Certifications	CE, UKCA, EAC, CMIM

* The pump is able to run 100% of the time if necessary.



Recommended accessory



Kit COMFORT

Thanks to its patented foam casing, this kit reduces the noise level and makes the pump easier to install.

Ref: GC077G1027

BENEFITS



Very silent

Very silent pump (20.2 dBA), suitable for an installation in any room.



IP64 protection

Protected against water splashes and dust.



Plug & Play connectors

Make installation and maintenance easier.



Clear reservoir

Facilitates maintenance thanks to a quick visualization of the reservoir state.



Metal pump outlets

High solidity and reliability.



Accessories included

All accessories required for installation are included in the box.



Stop siphoning included

Allows to avoid all risk of negative discharge and to secure the pump functioning over time.

CONTENTS



Pump - Reservoir with air-vent tube - Power / alarm cable - Reservoir stand - Stop Siphoning - Double-side adhesive - Inlet tube - Suction tube 1.8m - 1 clamp