

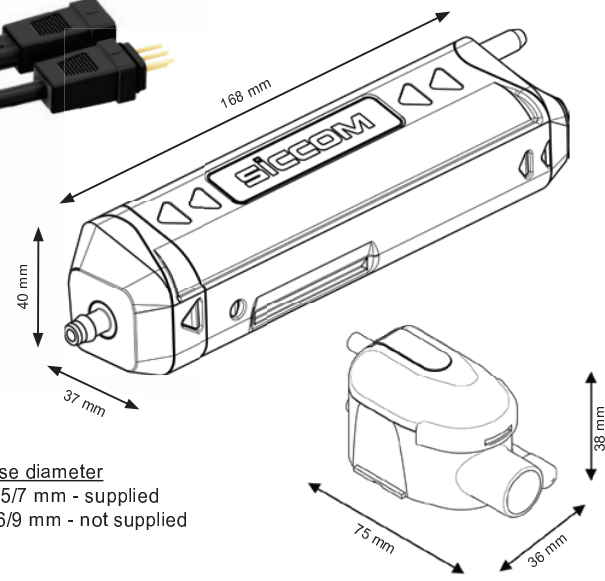
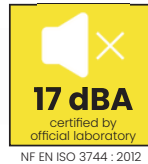
FLOWATCH® SILENCE DT20 **SICCOM**

The perfect combination of silence, performance, reliability and simplicity.
For air conditioners up to 20kW / 68000BTU.
The new standard in condensate pumps!

Ref: DE20PMCD700



PREMIUM



Hose diameter
Suction : 5/7 mm - supplied
Discharge : 6/9 mm - not supplied

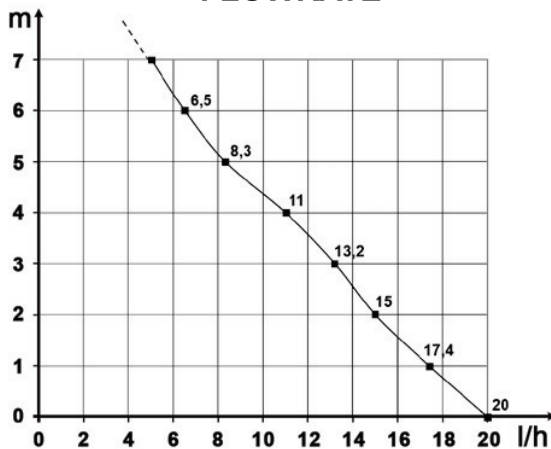


SPECIFICATIONS

Flowrate max	20 l/h
Suction head max	3 m
Discharge head max	10 m
Electrical power	3W
Voltage	Univolt 100-240V 50/60Hz
Alarm	NC
Noise level	17 dBA
Protection rating	IP24
Operating cycle*	100%
Power / alarm cable	1.6 m
Dimensions	168 x 37 x 40 mm / 75 x 36 x 38 mm
Certifications	CE, UKCA, EAC

* The pump is able to run 100% of the time if necessary.

FLOWRATE



BENEFITS



Extreme silence

An unrivalled user experience. No disturbance, even in the bedroom.

DT20 TECHNO

New technology

Ultra-low power consumption, unrivalled silence, exceptional reliability... Tested and approved!



IP24 protection

Protected against water splashes.



Plug & Play connectors

Make installation and maintenance easier and faster.

3W

Very low power consumption

Only 3W power consumption, during operation only!



Hanging hook

This astucious hook allows to fix or hang the pump wherever you want (duct, false ceiling, inside de unit...).



Stop siphoning included

Allows to avoid all risk of negative discharge and to secure the pump functioning over time.



CONTENTS

- Pump - Reservoir with air-vent tube -
- Power / alarm cable - Stop Siphoning -
- Reservoir stand - Double-sided adhesives -
- Inlet tube - Suction tube 1.8 m - 3 clamps